



Universal Strut Co. Ltd

www.univstrut.com

Strut Channel



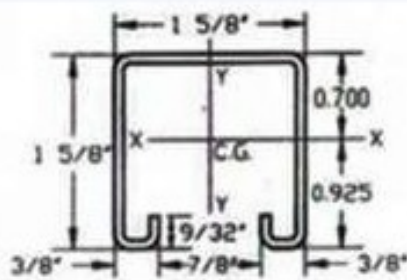
Universal Strut

Material: Standard carbon steel, conforming to ASTM A36, A575, A576, A635;

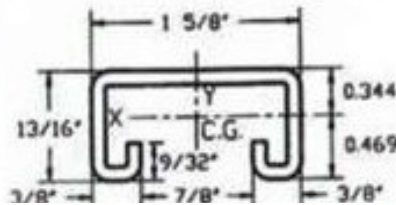
Pre-galvanized, electro-galvanized, HDG or powder coating ;

Finishing: Electro-galvanized, HDG or Case hardened; (conforming to ASTM B633

Type III SC1)



US Part#	Specification	Thickness	Length	Weight
Plain				
US5801	1-5/8**1-5/8"	12Ga	10FT	8kgs
US5802	1-5/8**1-5/8"	12Ga	20FT	16kgs
Slotted				
US5803	1-5/8**1-5/8"	12Ga	10FT	7.8Kgs
US5804	1-5/8**1-5/8"	12Ga	20FT	15.6Kgs



US Part#	Specification	Thickness	Length	Weight
Plain				
US5805	1-5/8**13/16"	14Ga	10FT	4.56kgs
US5806	1-5/8**13/16"	14Ga	20FT	9.12kgs
Slotted				
US5807	1-5/8**13/16"	14Ga	10FT	4.4Kgs
US5808	1-5/8**13/16"	14Ga	20FT	8.8Kgs



Universal Strut Co. Ltd

www.univstrut.com

Spring Nut / Channel Nut



Universal Strut

Material: Standard carbon steel, conforming to ASTM A36, A575, A576, A635;

Also available to SS304 & SS316

Finishing: Electro-galvanized, HDG or Case hardened;

US Part#				Thread Diameter	Thickness	Weight /100pcs
without spring	medium spring	short spring	long spring	unit:---	unit:mm	kgs
SN-2601	ZSN-2601	SSN-2601	LSN-2601	1/4"-20	6	2.9
SN-2602	ZSN-2602	SSN-2602	LSN-2602	5/16"-18	8	3.5
SN-2603	ZSN-2603	SSN-2603	LSN-2603	3/8"-16	9.2	4
SN-2604	ZSN-2604	SSN-2604	LSN-2604	1/2"-13	11.8	4.5
SN-2605	ZSN-2605	/	LSN-2605	5/8"-11	11	7.5
SN-2606	ZSN-2606	/	LSN-2606	3/4"-10	11	7.3
SN-2607	ZSN-2607	/	/	7/8"-9	11	7.2
SN-2608	ZSN-2608	SSN-2608	/	M6	6	3
SN-2609	ZSN-2609	SSN-2609	/	M8	8	3.6
SN-2610	ZSN-2610	SSN-2610	/	M10	9.2	4.1
SN-2611	ZSN-2611	SSN-2611	/	M12	11.8	4.8
SN-2612	ZSN-2612	/	/	M16	11	7.5
SN-2613	ZSN-2613	/	/	M18	11	7.3



Universal Strut Co. Ltd

www.univstrut.com

Cushion Clamp



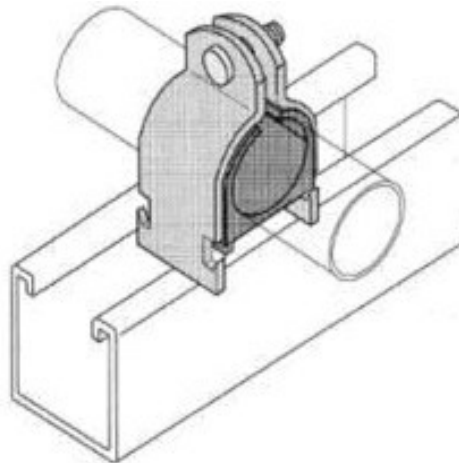
Universal Strut

Clamps with TPR parts, a welding bolt and a lock nut

Material: Standard carbon steel, conforming to ASTM A36, A575, A576, A635 + TPR;

Finishing: Yellow Zinc Plated

US Part#	O.D. Size	Thickness	weight (kgs)	Loading Rate (Lbs)
CC8601	3/8"	16ga (1.5)	0.06	400
CC8602	1/2"	16ga (1.5)	0.06	400
CC8603	5/8"	16ga (1.5)	0.07	600
CC8604	3/4"	14ga (2.0)	0.09	600
CC8605	7/8"	14ga (2.0)	0.10	600
CC8606	1-1/8"	14ga (2.0)	0.13	800
CC8607	1-5/8"	12ga (2.5)	0.19	800
CC8608	2-1/8"	12ga (2.5)	0.23	800
CC8609	2-5/8"	12ga (2.5)	0.28	1000
CC8610	3-1/8"	12ga (2.5)	0.30	1000
CC8611	3-5/8"	12ga (2.5)	0.32	1000
CC8612	4-1/8"	11ga (3.0)	0.43	1000





Universal Strut Co. Ltd

www.univstrut.com

Rigid Pipe Clamp



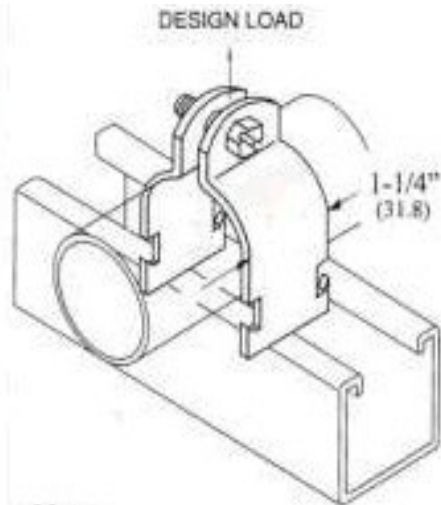
Universal Strut

Material: Standard carbon steel, conforming to ASTM A36, A575, A576, A635;

Also available to SS304 & SS316.

Finishing: Electro-galvanized or HDG;

US Part#	Pipe Size	Thickness	weight (kgs)	Loading Rate (Lbs)
RC7601	3/8"	16ga (1.5)	0.043	400
RC7602	1/2"	16ga (1.5)	0.048	400
RC7603	3/4"	16ga (1.5)	0.066	600
RC7604	1"	14ga (2.0)	0.075	600
RC7605	1-1/4"	14ga (2.0)	0.086	600
RC7606	1-1/2"	14ga (2.0)	0.136	800
RC7607	2"	14ga (2.0)	0.15	800
RC7608	2-1/2"	12ga (2.5)	0.177	800
RC7609	3"	12ga (2.5)	0.201	1000
RC7610	3-1/2"	11ga (3.0)	0.272	1000
RC7611	4"	11ga (3.0)	0.281	1000
RC7612	4-1/2"	11ga (3.0)	0.327	1000
RC7613	5"	11ga (3.0)	0.354	1000
RC7614	6"	11ga (3.0)	0.436	1000



Also Available: SS 304 / 316,



Universal Strut Co. Ltd

www.univstrut.com

EMT Pipe Clamp



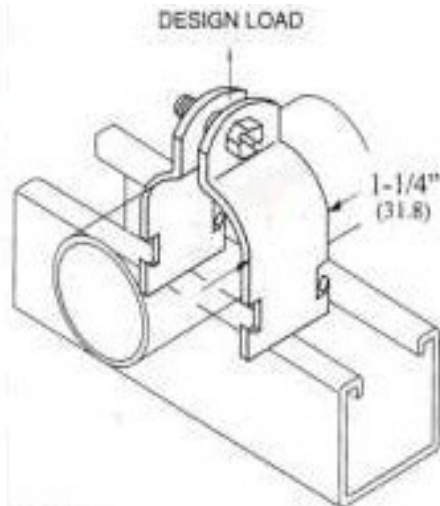
Universal Strut

Material: Standard carbon steel, conforming to ASTM A36, A575, A576, A635;

Also available to SS304 & SS316

Finishing: Electro-galvanized or HDG;

US Part#	Size	Actual O.D. In. mm	Thickness	weight (kgs)	Loading Rate (Lbs)
EMT8601	3/8"	0.577" (14.7)	16ga (1.5)	0.043	400
EMT8602	1/2"	0.706" (17.9)	16ga (1.5)	0.048	400
EMT8603	3/4"	0.922" (23.4)	16ga (1.5)	0.066	400
EMT8604	1"	1.163" (29.5)	14ga (2.0)	0.075	600
EMT8605	1-1/4"	1.510" (38.4)	14ga (2.0)	0.086	600
EMT8606	1-1/2"	1.740" (44.2)	14ga (2.0)	0.136	800
EMT8607	2"	2.197" (55.8)	12ga (2.5)	0.150	800



Also Available: SS 304 / 316,



Universal Strut Co. Ltd

www.univstrut.com

Universal Pipe Clamp



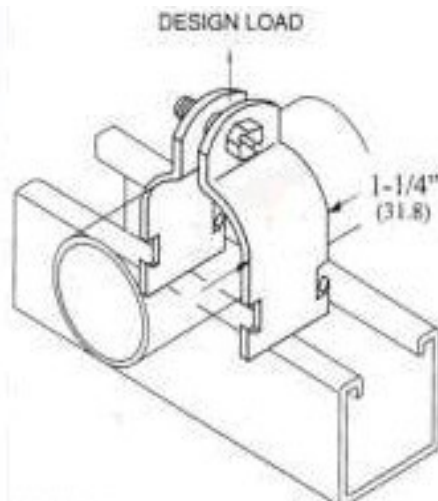
Universal Strut

Material: Standard carbon steel, conforming to ASTM A36, A575, A576, A635;

Also available to SS304 & SS316

Finishing: Electro-galvanized or HDG;

US Part#	Size	Thickness	weight (kgs)	Loading Rate (Lbs)
UC6601	3/8"	16ga (1.5)	0.05	400
UC6602	1/2"	16ga (1.5)	0.055	400
UC6603	3/4"	16ga (1.5)	0.057	400
UC6604	1"	14ga (2.0)	0.084	600
UC6605	1-1/4"	14ga (2.0)	0.087	600
UC6606	1-1/2"	14ga (2.0)	0.089	600
UC6607	2"	14ga (2.0)	0.114	600
UC6608	2-1/2"	12ga (2.5)	0.177	800
UC6609	3"	12ga (2.5)	0.200	800
UC6610	3-1/2"	11ga (3.0)	0.272	1000
UC6611	4"	11ga (3.0)	0.281	1000



Also Available: SS 304 / 316,



Universal Strut Co. Ltd

www.univstrut.com

Strut Fitting / Bracket

<p>1101 W/tea .19 Lbs. (.086 kg.)</p> <table border="1"> <thead> <tr> <th>Part Number</th> <th>Hole Size</th> <th>Bolt Size</th> </tr> </thead> <tbody> <tr> <td>1101-1/4</td> <td>11/32 (8.7)</td> <td>1/4 or 5/16</td> </tr> <tr> <td>1101-3/8</td> <td>13/32 (10.3)</td> <td>3/8</td> </tr> <tr> <td>1101-1/2</td> <td>9/16 (14.3)</td> <td>1/2</td> </tr> <tr> <td>1101-5/8</td> <td>21/32 (16.7)</td> <td>5/8</td> </tr> <tr> <td>1101-3/4</td> <td>13/16 (20.6)</td> <td>3/4</td> </tr> <tr> <td>1101-7/8</td> <td>15/16 (23.8)</td> <td>7/8</td> </tr> </tbody> </table>	Part Number	Hole Size	Bolt Size	1101-1/4	11/32 (8.7)	1/4 or 5/16	1101-3/8	13/32 (10.3)	3/8	1101-1/2	9/16 (14.3)	1/2	1101-5/8	21/32 (16.7)	5/8	1101-3/4	13/16 (20.6)	3/4	1101-7/8	15/16 (23.8)	7/8	<p>1101-N W/tea .19 Lbs. (.086 kg.)</p> <table border="1"> <thead> <tr> <th>Part Number</th> <th>Hole Size</th> <th>Bolt Size</th> </tr> </thead> <tbody> <tr> <td>1101-N-1/4</td> <td>11/32 (8.7)</td> <td>1/4 or 5/16</td> </tr> <tr> <td>1101-N-3/8</td> <td>13/32 (10.3)</td> <td>3/8</td> </tr> <tr> <td>1101-N-1/2</td> <td>9/16 (14.3)</td> <td>1/2</td> </tr> <tr> <td>1101-N-5/8</td> <td>21/32 (16.7)</td> <td>5/8</td> </tr> <tr> <td>1101-N-3/4</td> <td>13/16 (20.6)</td> <td>3/4</td> </tr> </tbody> </table>	Part Number	Hole Size	Bolt Size	1101-N-1/4	11/32 (8.7)	1/4 or 5/16	1101-N-3/8	13/32 (10.3)	3/8	1101-N-1/2	9/16 (14.3)	1/2	1101-N-5/8	21/32 (16.7)	5/8	1101-N-3/4	13/16 (20.6)	3/4	<p>1107 W/tea .22 Lbs. (.10 kg.)</p> <table border="1"> <thead> <tr> <th>Part Number</th> <th>U.S. Standard Thread</th> </tr> </thead> <tbody> <tr> <td>1107-A</td> <td>3/8"-16 (9.52)</td> </tr> <tr> <td>1107-B</td> <td>1/2"-13 (12.7)</td> </tr> <tr> <td>1107-C</td> <td>5/8"-11 (15.8)</td> </tr> </tbody> </table>	Part Number	U.S. Standard Thread	1107-A	3/8"-16 (9.52)	1107-B	1/2"-13 (12.7)	1107-C	5/8"-11 (15.8)	<p>1102 W/tea .16 Lbs. (.072 kg.)</p> <table border="1"> <thead> <tr> <th>Part Number</th> <th>Thread Clearance For Bolt Size "A"</th> </tr> </thead> <tbody> <tr> <td>1102-3/8</td> <td>3/8"-16 (9.52)</td> </tr> <tr> <td>1102-1/2</td> <td>1/2"-13 (12.7)</td> </tr> <tr> <td>1102-5/8</td> <td>5/8"-11 (15.8)</td> </tr> </tbody> </table>	Part Number	Thread Clearance For Bolt Size "A"	1102-3/8	3/8"-16 (9.52)	1102-1/2	1/2"-13 (12.7)	1102-5/8	5/8"-11 (15.8)
Part Number	Hole Size	Bolt Size																																																								
1101-1/4	11/32 (8.7)	1/4 or 5/16																																																								
1101-3/8	13/32 (10.3)	3/8																																																								
1101-1/2	9/16 (14.3)	1/2																																																								
1101-5/8	21/32 (16.7)	5/8																																																								
1101-3/4	13/16 (20.6)	3/4																																																								
1101-7/8	15/16 (23.8)	7/8																																																								
Part Number	Hole Size	Bolt Size																																																								
1101-N-1/4	11/32 (8.7)	1/4 or 5/16																																																								
1101-N-3/8	13/32 (10.3)	3/8																																																								
1101-N-1/2	9/16 (14.3)	1/2																																																								
1101-N-5/8	21/32 (16.7)	5/8																																																								
1101-N-3/4	13/16 (20.6)	3/4																																																								
Part Number	U.S. Standard Thread																																																									
1107-A	3/8"-16 (9.52)																																																									
1107-B	1/2"-13 (12.7)																																																									
1107-C	5/8"-11 (15.8)																																																									
Part Number	Thread Clearance For Bolt Size "A"																																																									
1102-3/8	3/8"-16 (9.52)																																																									
1102-1/2	1/2"-13 (12.7)																																																									
1102-5/8	5/8"-11 (15.8)																																																									
<p>1201 W/tea .4 Lbs. (.182 kg.)</p>	<p>1204 W/tea .35 Lbs. (.158 kg.)</p>	<p>1211 W/tea .5 Lbs. (.227 kg.)</p>	<p>1203 W/tea .5 Lbs. (.227 kg.)</p>																																																							
<p>1302 W/tea .56 Lbs. (.250 kg.)</p>	<p>1306 W/tea .5 Lbs. (.230 kg.)</p>	<p>1310 W/tea .73 Lbs. (.330 kg.)</p>	<p>1316 W/tea .8 Lbs. (.363 kg.)</p>																																																							
<p>1301 W/tea .58 Lbs. (.263 kg.)</p>	<p>1301-B W/tea .4 Lbs. (.180 kg.)</p>	<p>1304 W/tea .7 Lbs. (.318 kg.)</p>	<p>1305 W/tea .7 Lbs. (.318 kg.)</p>																																																							



Universal Strut Co. Ltd

www.univstrut.com

Strut Fitting / Bracket

<p>1506 Wt/ea .94 Lbs. (424 kg.)</p>	<p>1602 Wt/ea 1.75 Lbs (791 kg.)</p>	<p>1603 Wt/ea 1.66 Lbs (750 kg.)</p>	<p>1704 Wt/ea 2.4 Lbs. (1.08 kg.)</p>																				
<p>1205 Wt/ea .66 Lbs. (30 kg.)</p>	<p>2121 to 2124</p> <table border="1"> <thead> <tr> <th>Part Number</th> <th>Dim "A" In.</th> <th>mm</th> <th>Wt. Each</th> </tr> </thead> <tbody> <tr> <td>2121</td> <td>3-7/8"</td> <td>(98)</td> <td>0.61 (.275) kg</td> </tr> <tr> <td>2122</td> <td>5-7/8"</td> <td>(149)</td> <td>0.86 (.388) kg</td> </tr> <tr> <td>2123</td> <td>7-7/8"</td> <td>(200)</td> <td>1.07 (.483) kg</td> </tr> <tr> <td>2124</td> <td>9-7/8"</td> <td>(250)</td> <td>1.34 (.605) kg</td> </tr> </tbody> </table>	Part Number	Dim "A" In.	mm	Wt. Each	2121	3-7/8"	(98)	0.61 (.275) kg	2122	5-7/8"	(149)	0.86 (.388) kg	2123	7-7/8"	(200)	1.07 (.483) kg	2124	9-7/8"	(250)	1.34 (.605) kg	<p>2201 Wt/ea 4 Lbs (180 kg.)</p>	<p>2202 Wt/ea 4 Lbs. (180 kg.)</p>
Part Number	Dim "A" In.	mm	Wt. Each																				
2121	3-7/8"	(98)	0.61 (.275) kg																				
2122	5-7/8"	(149)	0.86 (.388) kg																				
2123	7-7/8"	(200)	1.07 (.483) kg																				
2124	9-7/8"	(250)	1.34 (.605) kg																				
<p>2202-T Wt/ea 4 Lbs. (18 kg.)</p>	<p>2209-N Wt/ea .37 Lbs. (.17 kg.)</p>	<p>2204-N Wt/ea .34 Lbs. (.15 kg.)</p>	<p>2205-A to C</p> <table border="1"> <thead> <tr> <th>Part Number</th> <th>Dim "A"</th> <th>Wt. Ea.</th> </tr> </thead> <tbody> <tr> <td>2205-A</td> <td>3"</td> <td>(76.2) .50 # (.226) kg</td> </tr> <tr> <td>2205-B</td> <td>3-1/2"</td> <td>(88.9) .56 # (.253) kg</td> </tr> <tr> <td>2205-C</td> <td>4"</td> <td>(102) .63 # (.285) kg</td> </tr> </tbody> </table>	Part Number	Dim "A"	Wt. Ea.	2205-A	3"	(76.2) .50 # (.226) kg	2205-B	3-1/2"	(88.9) .56 # (.253) kg	2205-C	4"	(102) .63 # (.285) kg								
Part Number	Dim "A"	Wt. Ea.																					
2205-A	3"	(76.2) .50 # (.226) kg																					
2205-B	3-1/2"	(88.9) .56 # (.253) kg																					
2205-C	4"	(102) .63 # (.285) kg																					
<p>2304 Wt/ea .62 Lbs. (280 kg.)</p>	<p>2304-B Wt/ea .59 Lbs. (266 kg.)</p>	<p>2305 Wt/ea .62 Lbs. (280 kg.)</p>	<p>2307 Wt/ea .62 Lbs. (280 kg.)</p>																				



Universal Strut Co. Ltd

www.univstrut.com

Strut Fitting / Bracket

2308 W/ves .62 Lbs. (.280 kg.) 3-1/2" (89) 2-1/4" (57)	2213 W/ves .83 Lbs. (.384 kg.) 4-7/8" (124) 3" (76) 1-5/16" (33) 2-1/2" (64) 1-5/16" (33)	2322 W/ves .81 Lbs. (.366 kg.) 4-5/8" (117) 3" (76) 1-5/16" (33) 2-1/2" (64) 1-5/16" (33)	2313 W/ves 1 Lb. (.452 kg.) 4-7/8" (124) 4-7/8" (124) 1-5/16" (33) 2-1/2" (64) 1-5/16" (33)
2315-R* 2315-L W/ves .58 Lbs. (.262 kg.) 3-1/2" (89) 2" (51) * Right Hand Version Illustrated, Left Opp.	2301-R* 2301-L W/ves .62 Lbs. (.280 kg.) 1-7/8" (48) 3-1/4" (83) 1-5/8" (41.3) 2" (51) * Right Hand Version Illustrated, Left Opp.	2310 W/ves .75 Lbs. (.339 kg.) 3-1/2" (89) 1-5/8" (41.3) 2-1/4" (57)	2407 W/ves .84 Lbs. (.379 kg.) 3-1/2" (89) 4-1/8" (103)
2407-B W/ves .74 Lbs. (.334 kg.) 3-5/32" (88) 1-1/2" (38) 4-13/32" (112) 1-1/2" (38)	2403 W/ves .84 Lbs. (.379 kg.) 3-3/4" (95) 3-7/8" (98)	2426-R* 2426-L W/ves 1.2 Lbs. (.542 kg.) 3-1/2" (89) 4-1/8" (103) * Right Hand Version Illustrated, Left Opp.	2417 W/ves .75 Lbs. (.339 kg.) 1-5/8" (41.3) 3-1/4" (83) 2-1/4" (57) 1-5/8" (41.3)
2411-R* 2411-L W/ves 1.06 Lbs. (.479 kg.) 1-5/8" (41.3) 4-1/8" (103) 3-1/2" (89) * Right Hand Version Illustrated, Left Opp.	2421-R* 2421-L W/ves 1 Lb. (.453 kg.) 1-7/8" (48) 3-7/8" (98) 3-1/2" (89) * Right Hand Version Illustrated, Left Opp.	2410 W/ves 1.08 Lbs. (.488 kg.) 1-5/8" (41.3) 3-1/2" (89) 4-1/8" (103)	2402-R 2402-L* W/ves .83 Lbs. (.375 kg.) 3-1/2" (89) 2" (51) 3-1/2" (89) * Left Hand Version Illustrated, Right Opp.



Universal Strut Co. Ltd

www.univstrut.com

Strut Fitting / Bracket

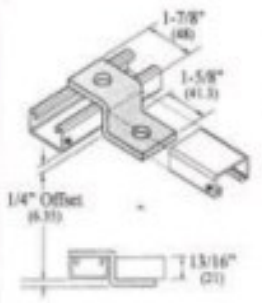
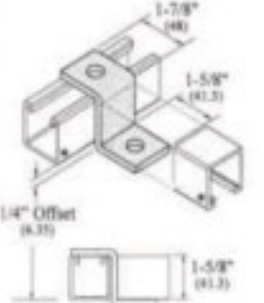
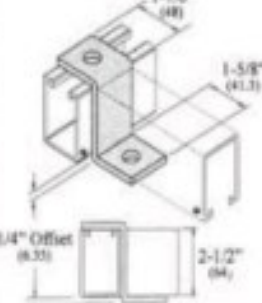
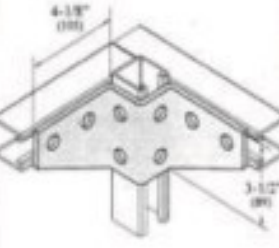
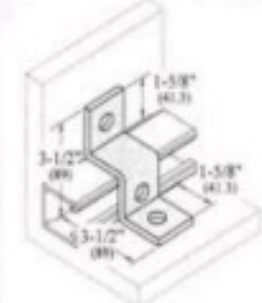
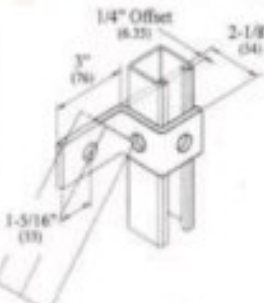
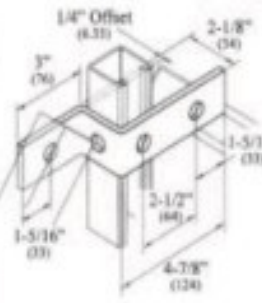
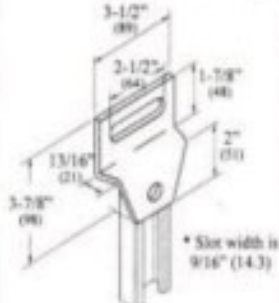
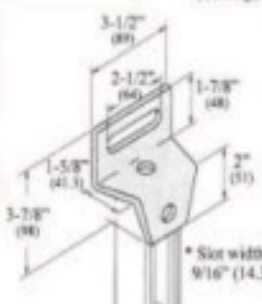
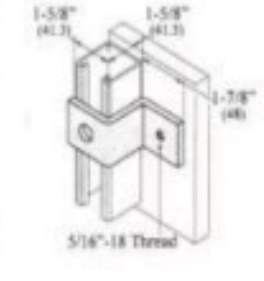
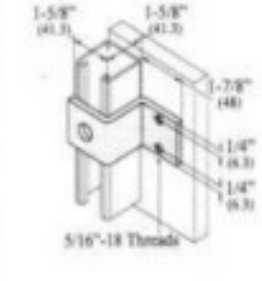
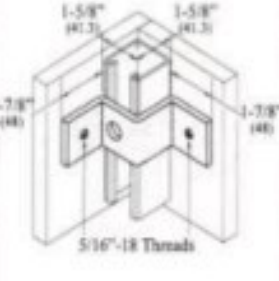
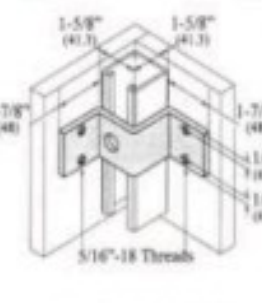
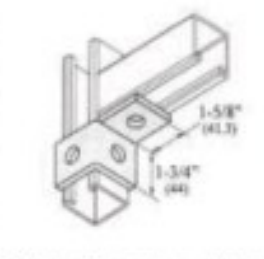
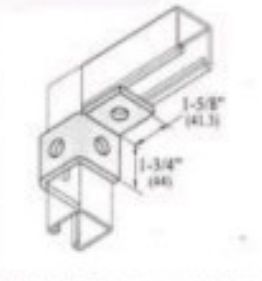
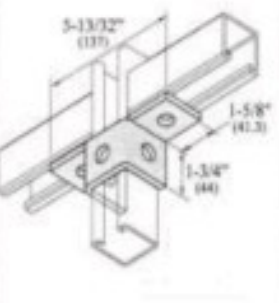
2413 Wt/ea 1.08 Lbs. (.488 kg.) 	2401 Wt/ea .83 Lbs. (.375 kg.) 	2412 Wt/ea .85 Lbs. (.384 kg.) 	2401-B Wt/ea .75 Lbs. (.339 kg.)
2501 Wt/ea .94 Lbs. (.424 kg.) 	2506 Wt/ea 1.05 Lbs. (.476 kg.) 	2502-B Wt/ea .75 Lbs. (.339 kg.) 	2510 Wt/ea 1.42 Lbs. (.641 kg.)
2503-R* 2503 Wt/ea 1.4 Lbs. (.632 kg.) 	2512 Wt/ea 1.54 Lbs. (.696 kg.) 	2505 Wt/ea 1.56 Lbs. (.705 kg.) 	2508 Wt/ea 1.36 Lbs. (.614 kg.)
2509 Wt/ea 1.36 Lbs. (.614 kg.) 	2545-R* 2545-L* Wt/ea 1.25 Lbs. (.565 kg.) 	2604 Wt/ea 1.75 Lbs. (.792 kg.) 	2603-R* 2603-L Wt/ea 1.76 Lbs. (.795 kg.)




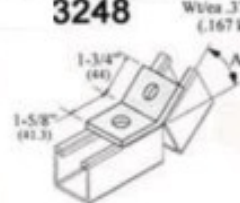
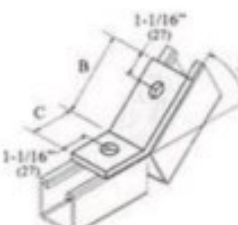
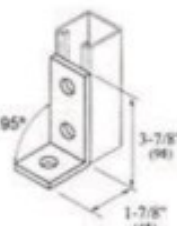
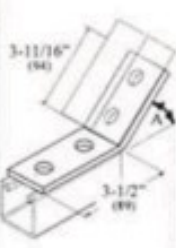
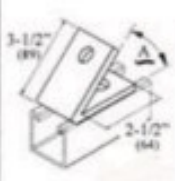
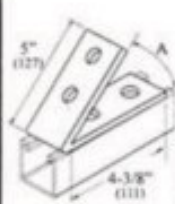
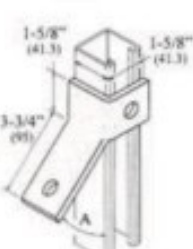
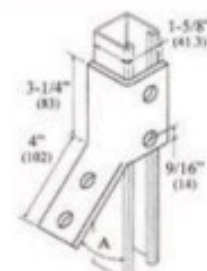
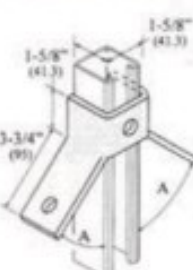
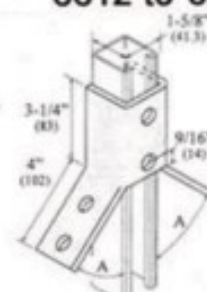
Universal Strut Co. Ltd

www.univstrut.com

Strut Fitting / Bracket

<p>4201-4 W/ves 5 Lbs. (226 kg.)</p> 	<p>4201 W/ves 59 Lbs. (266 kg.)</p> 	<p>4201-3 W/ves 72 Lbs. (325 kg.)</p> 	<p>3801 W/ves 2.18 Lbs. (985 kg.)</p> 
<p>3303 W/ves 69 Lbs. (311 kg.)</p> 	<p>4203 W/ves 7 Lbs. (316 kg.)</p> 	<p>4401 W/ves 1.06 Lbs. (479 kg.)</p> 	<p>4303-4 W/ves 84 Lbs. (379 kg.)</p>  <p>* Slot width is 9/16" (14.3)</p>
<p>4303 W/ves 92 Lbs. (415 kg.)</p>  <p>* Slot width is 9/16" (14.3)</p>	<p>4101 W/ves 56 Lbs. (253 kg.)</p>  <p>5/16"-18 Thread</p>	<p>4102 W/ves 56 Lbs. (253 kg.)</p>  <p>5/16"-18 Threads</p>	<p>3101 W/ves 75 Lbs. (339 kg.)</p>  <p>5/16"-18 Threads</p>
<p>3103 W/ves 75 Lbs. (339 kg.)</p>  <p>5/16"-18 Threads</p>	<p>2216-R * W/ves 61 Lbs. (275 kg.) 2216-L</p>  <p>* Right Hand Version Illustrated, Left Opp.</p>	<p>3431-R * W/ves 74 Lbs. (334 kg.) 3431-L</p>  <p>* Right Hand Version Illustrated, Left Opp.</p>	<p>2504 W/ves 1.09 Lbs. (492 kg.)</p> 



<p>3214 to 3217</p> <p>W/vea 6 Lbs. (.271 kg.)</p>  <p>Part Number And Angle of A</p> <table border="1"> <tr> <td>3214-30</td> <td>3215-22-1/2</td> <td>3216-15</td> <td>3217-7-1/2</td> </tr> <tr> <td>Deg.</td> <td>Deg.</td> <td>Deg.</td> <td>Deg.</td> </tr> </table>	3214-30	3215-22-1/2	3216-15	3217-7-1/2	Deg.	Deg.	Deg.	Deg.	<p>3248</p> <p>W/vea .37 Lbs. (.167 kg.)</p>  <p>Part Number And Angle A</p> <table border="1"> <tr> <td>3248-7-1/2</td> <td>3248-15</td> <td>3248-22-1/2</td> <td>3248-30</td> <td>3248-37-1/2</td> <td>3248-45</td> <td>3248-52-1/2</td> <td>3248-60</td> <td>3248-67-1/2</td> <td>3248-75</td> <td>3248-82-1/2</td> </tr> </table>	3248-7-1/2	3248-15	3248-22-1/2	3248-30	3248-37-1/2	3248-45	3248-52-1/2	3248-60	3248-67-1/2	3248-75	3248-82-1/2	<p>3206 to 3213 and 2303-45</p> <p>W/vea 60 Lbs. (.271 kg.)</p>  <table border="1"> <thead> <tr> <th>Part Number And Angle A</th> <th>Dim. B</th> <th>Dim. C</th> </tr> </thead> <tbody> <tr> <td>3207-82-1/2</td> <td>3-1/2 (89)</td> <td>1-3/4 (44)</td> </tr> <tr> <td>3208-75</td> <td>3-1/2 (89)</td> <td>1-3/4 (44)</td> </tr> <tr> <td>3210-67-1/2</td> <td>3-1/2 (89)</td> <td>1-3/4 (44)</td> </tr> <tr> <td>3206-60</td> <td>3-3/8 (86)</td> <td>1-7/8 (48)</td> </tr> <tr> <td>3211-52-1/2</td> <td>3-1/4 (83)</td> <td>2-1/16 (52)</td> </tr> <tr> <td>2303-45</td> <td>3 (76)</td> <td>2-5/16 (59)</td> </tr> <tr> <td>3212-37-1/2</td> <td>3-1/2 (89)</td> <td>1-3/4 (44)</td> </tr> <tr> <td>3213-37-1/2</td> <td>2-3/4 (70)</td> <td>2-5/8 (67)</td> </tr> </tbody> </table>		Part Number And Angle A	Dim. B	Dim. C	3207-82-1/2	3-1/2 (89)	1-3/4 (44)	3208-75	3-1/2 (89)	1-3/4 (44)	3210-67-1/2	3-1/2 (89)	1-3/4 (44)	3206-60	3-3/8 (86)	1-7/8 (48)	3211-52-1/2	3-1/4 (83)	2-1/16 (52)	2303-45	3 (76)	2-5/16 (59)	3212-37-1/2	3-1/2 (89)	1-3/4 (44)	3213-37-1/2	2-3/4 (70)	2-5/8 (67)
3214-30	3215-22-1/2	3216-15	3217-7-1/2																																														
Deg.	Deg.	Deg.	Deg.																																														
3248-7-1/2	3248-15	3248-22-1/2	3248-30	3248-37-1/2	3248-45	3248-52-1/2	3248-60	3248-67-1/2	3248-75	3248-82-1/2																																							
Part Number And Angle A	Dim. B	Dim. C																																															
3207-82-1/2	3-1/2 (89)	1-3/4 (44)																																															
3208-75	3-1/2 (89)	1-3/4 (44)																																															
3210-67-1/2	3-1/2 (89)	1-3/4 (44)																																															
3206-60	3-3/8 (86)	1-7/8 (48)																																															
3211-52-1/2	3-1/4 (83)	2-1/16 (52)																																															
2303-45	3 (76)	2-5/16 (59)																																															
3212-37-1/2	3-1/2 (89)	1-3/4 (44)																																															
3213-37-1/2	2-3/4 (70)	2-5/8 (67)																																															
<p>3306</p> <p>W/vea 6 Lbs. (.271 kg.)</p>  <p>90°</p> <p>3-7/8" (98)</p> <p>1-7/8" (48)</p>	<p>3402</p> <p>W/vea .77 Lbs. (.348 kg.)</p>  <p>Part Number And Angle A</p> <table border="1"> <tr> <td>3402-7-1/2</td> <td>3402-15</td> <td>3402-22-1/2</td> <td>3402-30</td> <td>3402-37-1/2</td> <td>3402-45</td> <td>3402-52-1/2</td> <td>3402-60</td> <td>3402-67-1/2</td> <td>3402-75</td> <td>3402-82-1/2</td> </tr> </table>	3402-7-1/2	3402-15	3402-22-1/2	3402-30	3402-37-1/2	3402-45	3402-52-1/2	3402-60	3402-67-1/2	3402-75	3402-82-1/2	<p>3218 to 3222</p> <p>W/vea 6 Lbs. (.271 kg.)</p>  <p>Part Number And Angle A</p> <table border="1"> <tr> <td>3218-82-1/2</td> <td>3219-75</td> <td>3220-67-1/2</td> <td>3209-60</td> <td>3221-52-1/2</td> <td>3202-65</td> <td>3222-37-1/2</td> </tr> </table>	3218-82-1/2	3219-75	3220-67-1/2	3209-60	3221-52-1/2	3202-65	3222-37-1/2	<p>3424 to 3403</p> <p>W/vea 1.05 Lbs. (.474 kg.)</p>  <p>Part Number And Angle A</p> <table border="1"> <tr> <td>3424-82-1/2</td> <td>3425-75</td> <td>3426-67-1/2</td> <td>3427-60</td> <td>3428-52-1/2</td> <td>3429-45</td> <td>3430-37-1/2</td> </tr> </table>	3424-82-1/2	3425-75	3426-67-1/2	3427-60	3428-52-1/2	3429-45	3430-37-1/2																					
3402-7-1/2	3402-15	3402-22-1/2	3402-30	3402-37-1/2	3402-45	3402-52-1/2	3402-60	3402-67-1/2	3402-75	3402-82-1/2																																							
3218-82-1/2	3219-75	3220-67-1/2	3209-60	3221-52-1/2	3202-65	3222-37-1/2																																											
3424-82-1/2	3425-75	3426-67-1/2	3427-60	3428-52-1/2	3429-45	3430-37-1/2																																											
<p>6201* to 6206</p> <p>W/vea .87 Lbs. (.393 kg.)</p>  <p>Part Number And Angle A</p> <table border="1"> <tr> <td>6201-R-22-1/2</td> <td>6202-R-30</td> <td>6203-R-37-1/2</td> <td>6204-R-45</td> <td>6205-R-52-1/2</td> <td>6206-R-60</td> </tr> </table> <p>For Left Hand Fiting order as (-L)</p>		6201-R-22-1/2	6202-R-30	6203-R-37-1/2	6204-R-45	6205-R-52-1/2	6206-R-60	<p>6406* to 6411</p> <p>W/vea 1.18 Lbs. (.533 kg.)</p>  <p>Part Number And Angle A</p> <table border="1"> <tr> <td>6406-R-22-1/2</td> <td>6407-R-30</td> <td>6408-R-37-1/2</td> <td>6409-R-45</td> <td>6410-R-52-1/2</td> <td>6411-R-60</td> </tr> </table> <p>For Left Hand Fiting order as (-L)</p>		6406-R-22-1/2	6407-R-30	6408-R-37-1/2	6409-R-45	6410-R-52-1/2	6411-R-60																																		
6201-R-22-1/2	6202-R-30	6203-R-37-1/2	6204-R-45	6205-R-52-1/2	6206-R-60																																												
6406-R-22-1/2	6407-R-30	6408-R-37-1/2	6409-R-45	6410-R-52-1/2	6411-R-60																																												
<p>6310 to 6315</p> <p>W/vea 1.5 Lbs. (.678 kg.)</p>  <p>Part Number And Angle A</p> <table border="1"> <tr> <td>6310-22-1/2</td> <td>6311-30</td> <td>6312-37-1/2</td> <td>6313-45</td> <td>6314-52-1/2</td> <td>6315-60</td> </tr> </table>		6310-22-1/2	6311-30	6312-37-1/2	6313-45	6314-52-1/2	6315-60	<p>6612 to 6617</p> <p>W/vea 2.19 Lbs. (.989 kg.)</p>  <p>Part Number And Angle A</p> <table border="1"> <tr> <td>6612-22-1/2</td> <td>6613-30</td> <td>6614-37-1/2</td> <td>6615-45</td> <td>6616-52-1/2</td> <td>6617-60</td> </tr> </table>		6612-22-1/2	6613-30	6614-37-1/2	6615-45	6616-52-1/2	6617-60																																		
6310-22-1/2	6311-30	6312-37-1/2	6313-45	6314-52-1/2	6315-60																																												
6612-22-1/2	6613-30	6614-37-1/2	6615-45	6616-52-1/2	6617-60																																												



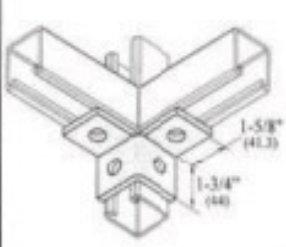
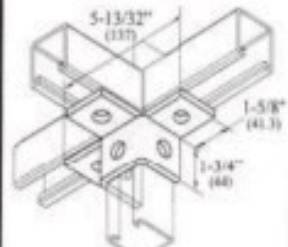
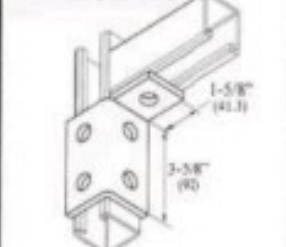
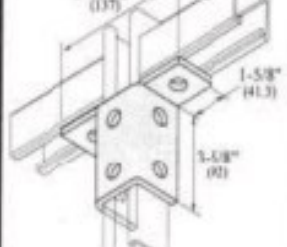
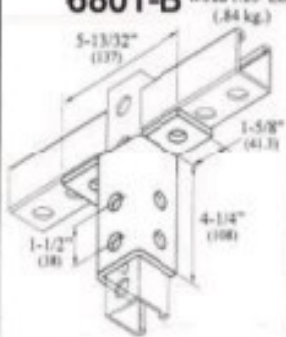
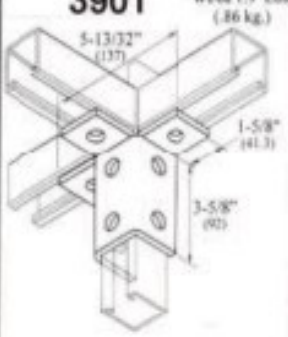
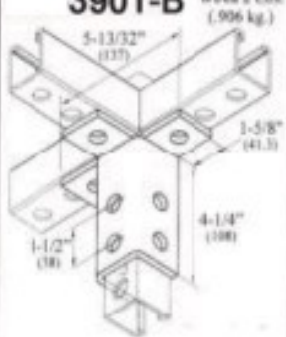
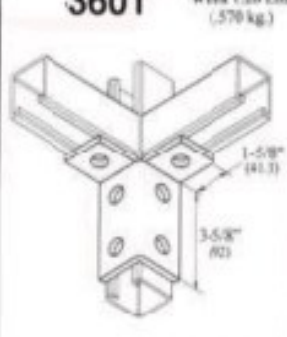
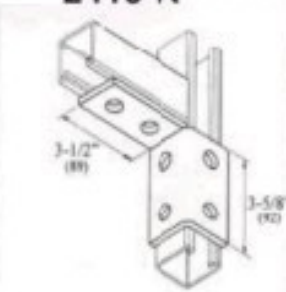
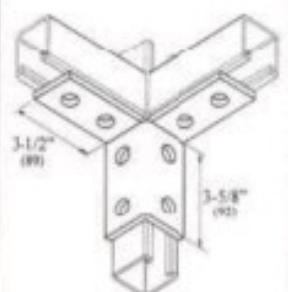
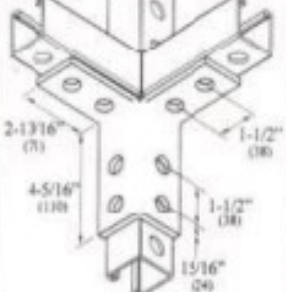
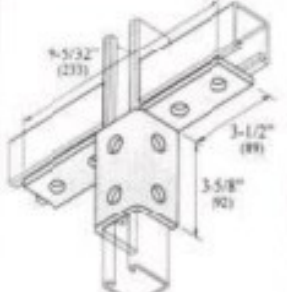
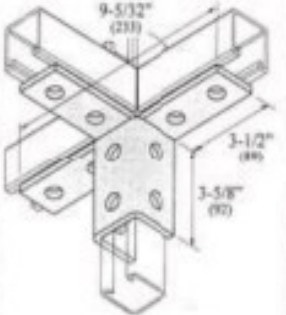
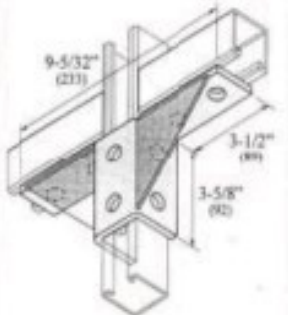
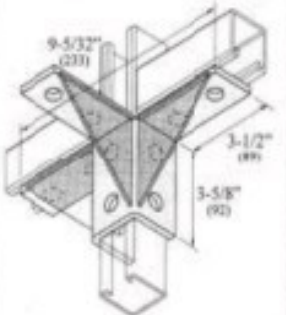
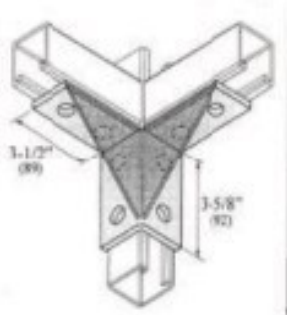
<p>2203-L * W/ves .55 Lbs. (248 kg.) 2203-R</p> <p>* Left Hand Version Illustrated, Right Opp.</p>	<p>3250 Series</p> <p>Knee Braces</p> <table border="1"> <thead> <tr> <th>Part Number</th> <th>Dim A</th> <th>Wgt. Ea.</th> </tr> </thead> <tbody> <tr> <td>3250-12</td> <td>12" (304)</td> <td>1.81 (818)</td> </tr> <tr> <td>3250-18</td> <td>18" (457)</td> <td>2.15 (971)</td> </tr> <tr> <td>3250-24</td> <td>24" (609)</td> <td>3.15 (1,42)</td> </tr> </tbody> </table>		Part Number	Dim A	Wgt. Ea.	3250-12	12" (304)	1.81 (818)	3250-18	18" (457)	2.15 (971)	3250-24	24" (609)	3.15 (1,42)	<p>4301-B</p> <p>Requires Open-End Wrench</p> <p>* FITS: 1-5/8 x 1-5/8 P1.5 Channel</p>						
Part Number	Dim A	Wgt. Ea.																			
3250-12	12" (304)	1.81 (818)																			
3250-18	18" (457)	2.15 (971)																			
3250-24	24" (609)	3.15 (1,42)																			
<p>4301-4 W/ves. 48 Lbs. (216 kg.)</p>	<p>4301-10 W/ves. 52 Lbs. (235 kg.)</p>	<p>4301-6 W/ves. 54 Lbs. (244 kg.)</p>	<p>4301 W/ves. 6 Lbs. (271 kg.)</p>																		
<p>4301-3 W/ves. 69 Lbs. (311 kg.)</p>	<p>4302 W/ves. 75 Lbs. (339 kg.)</p>	<p>4205 W/ves. 93 Lbs. (420 kg.)</p>	<p>6308 W/ves. 58 Lbs. (262 kg.)</p>																		
<p>4202 W/ves. 38 Lbs. (171 kg.)</p>	<p>4501 W/ves. 1 Lb. (453 kg.)</p> <p>Note Side View Not A Full Collar</p>	<p>4701 W/ves. 1.5 Lbs. (678 kg.)</p> <p>Note Side View Not A Full Collar</p>	<p>4204 Series</p> <table border="1"> <thead> <tr> <th>Part Number</th> <th>Dim A</th> <th>Wt. Ea.</th> </tr> </thead> <tbody> <tr> <td>4204-A</td> <td>4" (102)</td> <td>.82 # (.37) kg</td> </tr> <tr> <td>4204-B</td> <td>5" (127)</td> <td>.93 # (.42) kg</td> </tr> <tr> <td>4204-C</td> <td>6" (152)</td> <td>1.1 # (.53) kg</td> </tr> <tr> <td>4204-D</td> <td>7" (178)</td> <td>1.2 # (.53) kg</td> </tr> <tr> <td>4204-E</td> <td>8" (203)</td> <td>1.3 # (.58) kg</td> </tr> </tbody> </table>	Part Number	Dim A	Wt. Ea.	4204-A	4" (102)	.82 # (.37) kg	4204-B	5" (127)	.93 # (.42) kg	4204-C	6" (152)	1.1 # (.53) kg	4204-D	7" (178)	1.2 # (.53) kg	4204-E	8" (203)	1.3 # (.58) kg
Part Number	Dim A	Wt. Ea.																			
4204-A	4" (102)	.82 # (.37) kg																			
4204-B	5" (127)	.93 # (.42) kg																			
4204-C	6" (152)	1.1 # (.53) kg																			
4204-D	7" (178)	1.2 # (.53) kg																			
4204-E	8" (203)	1.3 # (.58) kg																			



Universal Strut Co. Ltd

www.univstrut.com

Strut Fitting / Bracket

3405 W/ves 81 Lbs. (366 kg.) 	3602 W/ves 1.22 Lbs. (551 kg.) 	2324-R W/ves 1.15 Lbs. (519 kg.) 2324-L 	6801 W/ves 1.77 Lbs. (80 kg.) 
6801-B W/ves 1.85 Lbs. (84 kg.) 	3901 W/ves 1.9 Lbs. (86 kg.) 	3901-B W/ves 2 Lbs. (906 kg.) 	3601 W/ves 1.26 Lbs. (570 kg.) 
2419-L * W/ves 1.18 Lbs. (533 kg.) 2419-R 	3802 W/ves 1.53 Lbs. (692 kg.) 	3802-B W/ves 1.53 Lbs. (692 kg.) 	61002 W/ves 2.19 Lbs. (989 kg.) 
631201 W/ves 2.47 Lbs. (1.12 kg.) 	21001 W/ves 2.62 Lbs. (1.18 kg.) 	31202 W/ves 3.05 Lbs. (1.37 kg.) 	3803 W/ves 2.15 Lbs. (971 kg.) 



Universal Strut Co. Ltd

www.univstrut.com

Strut Fitting / Bracket

<p>6402-B W/tea .86 Lbs. (.388 kg.) Permits bolting through P1.5 style perforations</p> <p>Requires Open-End Wrench</p>	<p>6402-4-B W/tea .43 Lbs. (.194 kg.) Permits bolting through P1.5 style perforations</p> <p>Requires Open-End Wrench</p>	<p>6402-4 W/tea .79 Lbs. (.316 kg.)</p>	<p>6402-10 W/tea .75 Lbs. (.340 kg.)</p>
<p>6402-6 W/tea .84 Lbs. (.381 kg.)</p>	<p>6402 W/tea .86 Lbs. (.388 kg.)</p>	<p>6402-3 W/tea 1.1 Lbs. (.497 kg.)</p>	<p>6317 W/tea 1.3 Lbs. (.587 kg.)</p>
<p>6319 W/tea 2.0 Lbs. (.904 kg.)</p>	<p>6401 W/tea 1.1 Lbs. (.497 kg.)</p>	<p>6618 W/tea 1.8 Lbs. (.813 kg.)</p>	<p>6619 W/tea 2.62 Lbs. (1.18 kg.)</p>
<p>* FITS: Triple Welded 1-5/8" Sq. Channels</p>	<p>* FITS: Double Welded 1-5/8" Channel</p>	<p>* FITS: 1-5/8 x 1-5/8 Channel</p>	
<p>5302 W/tea .75 Lbs. (.339 kg.)</p>	<p>6701 W/tea 2.0 Lbs. (.904 kg.)</p>	<p>6701-3 W/tea 2.03 Lbs. (.917 kg.)</p>	<p>6802 W/tea 2.1 Lbs. (.949 kg.)</p>



Universal Strut Co. Ltd

www.univstrut.com

Strut Fitting / Bracket

<p>6501 Wt/ea 1.05 Lbs. (.474 kg.)</p>	<p>6501-3 Wt/ea 1.15 Lbs. (.519 kg.)</p>	<p>6402-3U Wt/ea .95 Lbs. (.429 kg.)</p>	<p>6401-44 Wt/ea 1.07 Lbs. (.483 kg.)</p>																		
<p>6301-A Wt/ea .79 Lbs. (.357 kg.)</p>	<p>2206-4 Wt/ea .75 Lbs. (.339 kg.)</p>	<p>2206 Wt/ea .95 Lbs. (.429 kg.)</p>	<p>5401 Wt/ea .71 Lbs. (.322 kg.)</p>																		
<p>5401-44 Wt/ea .75 Lbs. (.339 kg.)</p>	<p>5401-A Wt/ea .71 Lbs. (.322 kg.)</p>	<p>5203 Series</p> <table border="1"> <thead> <tr> <th>Part#</th> <th>Dim "A"</th> <th>Wgt. Ea.</th> </tr> </thead> <tbody> <tr> <td>MF-5203-A</td> <td>4" (101)</td> <td>.76# (.343)</td> </tr> <tr> <td>MF-5203-B</td> <td>5" (127)</td> <td>.90# (.406)</td> </tr> <tr> <td>MF-5203-C</td> <td>6" (152)</td> <td>1.0# (.452)</td> </tr> <tr> <td>MF-5203-D</td> <td>7" (177)</td> <td>1.1# (.510)</td> </tr> <tr> <td>MF-5203-E</td> <td>8" (203)</td> <td>1.3# (.565)</td> </tr> </tbody> </table>	Part#	Dim "A"	Wgt. Ea.	MF-5203-A	4" (101)	.76# (.343)	MF-5203-B	5" (127)	.90# (.406)	MF-5203-C	6" (152)	1.0# (.452)	MF-5203-D	7" (177)	1.1# (.510)	MF-5203-E	8" (203)	1.3# (.565)	<p>6404 Wt/ea 1.2 Lbs. (.542 kg.)</p>
Part#	Dim "A"	Wgt. Ea.																			
MF-5203-A	4" (101)	.76# (.343)																			
MF-5203-B	5" (127)	.90# (.406)																			
MF-5203-C	6" (152)	1.0# (.452)																			
MF-5203-D	7" (177)	1.1# (.510)																			
MF-5203-E	8" (203)	1.3# (.565)																			
<p>6403 Wt/ea 1.17 Lbs. (.528 kg.)</p>	<p>6101 Wt/ea .85 Lbs. (.384 kg.)</p> <p>Outside holes tapped 5/16"-18</p>	<p>6102 Wt/ea .85 Lbs. (.384 kg.)</p> <p>Outside holes tapped 5/16"-18</p>	<p>6305,06&07</p> <p>* FITS: 1-9/16" (40) 1-5/8" x 1-5/8" Channel</p> <table border="1"> <thead> <tr> <th>Part#</th> <th>Dim "A"</th> <th>Dim "B"</th> <th>Wt. Ea.</th> </tr> </thead> <tbody> <tr> <td>6305</td> <td>7-1/4" (184)</td> <td>4-1/8" (105)</td> <td>1.45# (.655)</td> </tr> <tr> <td>6306</td> <td>8-1/2" (216)</td> <td>5-3/8" (136)</td> <td>1.69# (.763)</td> </tr> <tr> <td>6307</td> <td>10-3/8" (264)</td> <td>7-1/4" (184)</td> <td>1.93# (.872)</td> </tr> </tbody> </table>	Part#	Dim "A"	Dim "B"	Wt. Ea.	6305	7-1/4" (184)	4-1/8" (105)	1.45# (.655)	6306	8-1/2" (216)	5-3/8" (136)	1.69# (.763)	6307	10-3/8" (264)	7-1/4" (184)	1.93# (.872)		
Part#	Dim "A"	Dim "B"	Wt. Ea.																		
6305	7-1/4" (184)	4-1/8" (105)	1.45# (.655)																		
6306	8-1/2" (216)	5-3/8" (136)	1.69# (.763)																		
6307	10-3/8" (264)	7-1/4" (184)	1.93# (.872)																		



<p>6302-4 W/Wea. 0.911 (411) 6303-4 W/Wea. 1.029 (461) 6304-4 W/Wea. 1.254 (565)</p> <p>* FITS: 5/8" x 1/2" & 5/8" x 3/4"</p> <table border="1"> <thead> <tr> <th>Part#</th> <th>Dim "A"</th> <th>Dim "B"</th> </tr> </thead> <tbody> <tr> <td>6302-4</td> <td>7-1/4" (184)</td> <td>4-1/8" (105)</td> </tr> <tr> <td>6303-4</td> <td>8-1/2" (216)</td> <td>5-3/8" (136)</td> </tr> <tr> <td>6304-4</td> <td>10-3/8" (264)</td> <td>7-1/4" (184)</td> </tr> </tbody> </table> <p>* FITS: 1-5/8" x 1-5/8" Channel</p>	Part#	Dim "A"	Dim "B"	6302-4	7-1/4" (184)	4-1/8" (105)	6303-4	8-1/2" (216)	5-3/8" (136)	6304-4	10-3/8" (264)	7-1/4" (184)	<p>6302.03&04</p> <p>9/16" x 1-1/2" Slots (14) (38)</p> <p>* FITS: 1-5/8" x 1-5/8" Channel</p> <table border="1"> <thead> <tr> <th>Part#</th> <th>Dim "A"</th> <th>Dim "B"</th> <th>Wt. Ea.</th> </tr> </thead> <tbody> <tr> <td>63027-1/4"</td> <td>184</td> <td>4-1/8" (105)</td> <td>1.059 (474)</td> </tr> <tr> <td>63038-1/2"</td> <td>216</td> <td>5-3/8" (136)</td> <td>1.194 (537)</td> </tr> <tr> <td>630410-3/8"</td> <td>264</td> <td>7-1/4" (184)</td> <td>1.328 (598)</td> </tr> </tbody> </table>	Part#	Dim "A"	Dim "B"	Wt. Ea.	63027-1/4"	184	4-1/8" (105)	1.059 (474)	63038-1/2"	216	5-3/8" (136)	1.194 (537)	630410-3/8"	264	7-1/4" (184)	1.328 (598)	<p>2110-A W/Wea. 40 Lbs. (180 kg.)</p> <p>Stud Dia. 1/2"-13 (U.S. Coarse Thread) Custom lengths available per spec.</p>	<p>7110-A W/Wea. 61 Lbs. (275 kg.)</p> <p>Stud Dia. 1/2"-13 (U.S. Coarse Thread) Custom lengths available per spec.</p>
Part#	Dim "A"	Dim "B"																													
6302-4	7-1/4" (184)	4-1/8" (105)																													
6303-4	8-1/2" (216)	5-3/8" (136)																													
6304-4	10-3/8" (264)	7-1/4" (184)																													
Part#	Dim "A"	Dim "B"	Wt. Ea.																												
63027-1/4"	184	4-1/8" (105)	1.059 (474)																												
63038-1/2"	216	5-3/8" (136)	1.194 (537)																												
630410-3/8"	264	7-1/4" (184)	1.328 (598)																												
<p>7110-C W/Wea. 66 Lbs. (298 kg.)</p> <p>Stud Dia. 1/2"-13 (U.S. Coarse Thread) Custom lengths available per spec.</p>	<p>7110-B W/Wea. 66 Lbs. (298 kg.)</p> <p>Stud Dia. 1/2"-13 (U.S. Coarse Thread) Custom lengths available per spec.</p>	<p>7110-D W/Wea. 91 Lbs. (411 kg.)</p> <p>Stud Dia. 1/2"-13 (U.S. Coarse Thread) Custom lengths available per spec.</p>	<p>9601-A W/Wea. 3.0 Lbs. (1.35 kg.)</p> <p>* Base plate holes are 3/4" (19mm) diameter</p>																												
<p>9601 W/Wea. 3.27 Lbs. (1.47 kg.)</p> <p>* Base plate holes are 3/4" (19mm) diameter</p>	<p>9602-A W/Wea. 3.65 Lbs. (1.65 kg.)</p> <p>* Base plate holes are 3/4" (19mm) diameter</p>	<p>9602 W/Wea. 4.0 Lbs. (1.81 kg.)</p> <p>* Base plate holes are 3/4" (19mm) diameter</p>	<p>9601-A-SQ W/Wea. 3.0 Lbs. (1.36 kg.)</p> <p>* Base plate holes are 3/4" (19mm) diameter</p>																												
<p>9601-SQ W/Wea. 3.27 Lbs. (1.48 kg.)</p> <p>* Base plate holes are 3/4" (19mm) diameter</p>	<p>9602-A-SQ W/Wea. 3.65 Lbs. (1.65 kg.)</p> <p>* Base plate holes are 3/4" (19mm) diameter</p>	<p>9602-SQ W/Wea. 4.0 Lbs. (1.81 kg.)</p> <p>* Base plate holes are 3/4" (19mm) diameter</p>	<p>9601-A-FL W/Wea. 2.3 Lbs. (1.04 kg.)</p> <p>* Base plate holes are 3/4" (19mm) diameter</p>																												



Universal Strut Co. Ltd

www.univstrut.com

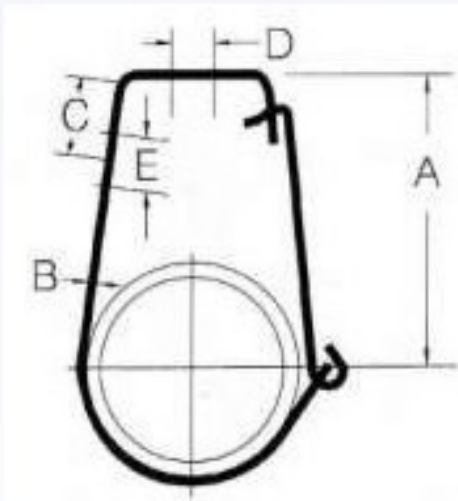
Pipe Hanger & Beam Clamp



Universal Strut

Material: Standard carbon steel, conforming to ASTM A36, A575, A576, A635;

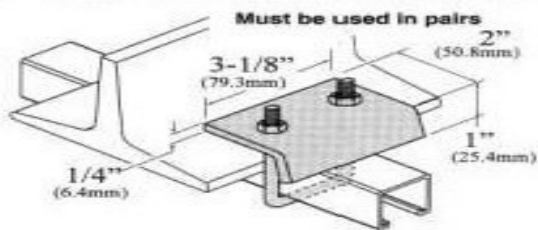
Thread rods are available from M4 to M36 (1/4"~3/4")



US Part#	Pipe Size	Thickness (mm)	Wgt. / 100 Pcs (Lbs. Kgs)
SH1601	3/4"	3	19 9
SH1602	1"	3	22 10
SH1603	1-1/4"	3	26 12
SH1604	1-1/2"	3	26 12
SH1605	2"	3	31 14
SH1606	2-1/2"	3	66 30
SH1607	3"	3	72 33
SH1608	3-1/2"	3	84 38
SH1609	4"	4.5	178 81

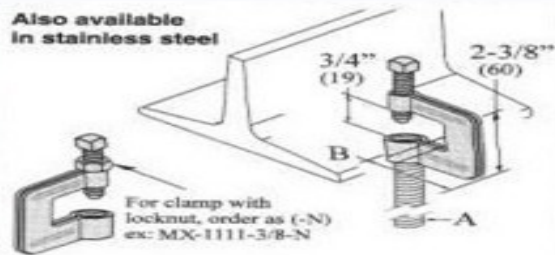
BC2601A/B

3/8"-16 Threaded U-Bolt and Hex Nuts Included



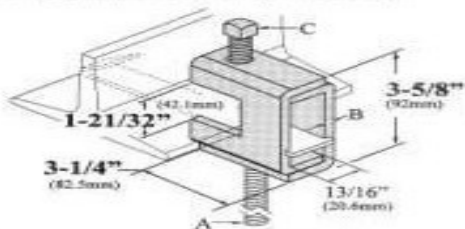
BC2602 Series

Also available in stainless steel



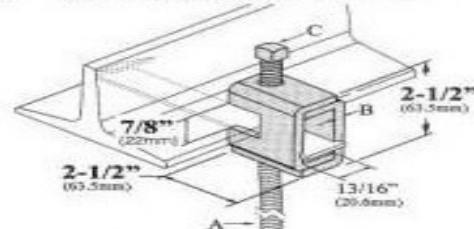
BC2603 Series

2" (51) Long set screw
3/4" (19) Min. beam flange thickness



BC2604 Series

1-1/2" (38) Long set screw
3/8" (9.5) Min. beam flange thickness





Universal Strut Co. Ltd

www.univstrut.com

Contact Us

Steven Zhang

Steven@univstrut.com

PINGDU OFFICE:

ZHANGSHE INDUSTRY PARK,
PINGDU 266000
CHINA
T: +86 532 8637 3088
F: +86 532 8637 3288
Sales@univstrut.com
www.univstrut.com

JIAXING OFFICE:

NEW INDUSTRY PARK, FENGQIAO TOWN,
JIAXING 314008
CHINA
Sales@univstrut.com
www.uinvstrut.com

CHONGQING OFFICE:

NO. 65 JIANXINBEI ROAD, JIANGBEI DISTRICT,
CHONGQING 400020
CHINA
T: +86 23 83873107
F: +86 23 83873107
Sales@univstrut.com
www.univstrut.com

